

Fiber Laser Building Blocks

COMPACT OEM RAMAN CAVITY

Applications:

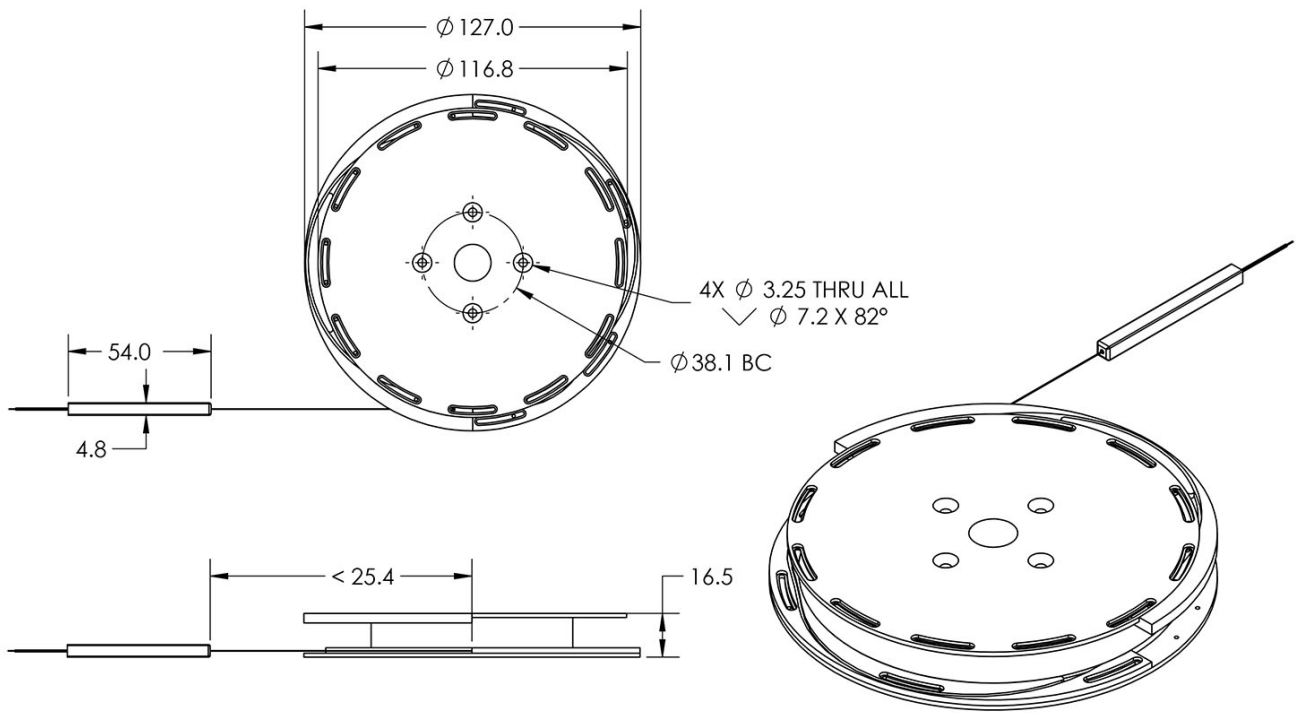
- High brightness fiber laser pumping
- Frequency conversion
- Telecom - Distributed Amplification
- Test and measurement
- EDFA and Raman amplifier pumping
- Medical

Features and Benefits:

- Wavelength flexibility from 1 to 1.6 μm
- Compact OEM module for rapid integration
- Single-mode fiber output



Specifications		Compact OEM Raman Cavity
Pump Input Fibers		
Number of Pump Input Fibers		7
Input Fiber Type		LNAP
Input Fiber Clad Diameter		125 μ m
Input Fiber Core Diameter		105 μ m
Input Fiber NA		0.15
Input Fiber Length		\geq 1m
Output Fiber		
Output Fiber Type		Single-mode
Output Fiber Length		\geq 1m
Performance		
Output Wavelength Range		Selectable from 1060-1800 nm
Operating Wavelength		Customer request \pm 1nm
Output Power		< 3.5W
Cooling:		Supplied by Customer
Pump Diodes:		Supplied by Customer
Pump Diode Fiber		105 μ m core, 125 μ m clad, 0.15 NA
Mechanical Form Factor		
Spool Diameter		5 inch
Spool Height		0.65 inch
Order by Part Number		7000999-XXXX



For additional information please contact your sales representative.
 You can also visit our website at www.ofsoptics.com or call 1-888-fiberhelp (1-888-342-3743) USA or 1-770-798-5555 outside the USA.



Copyright © 2020 OFS Fitel, LLC.
 All rights reserved, printed in USA.

OFS Marketing Communications
 Date: 01/20



OFS reserves the right to make changes to the prices and product(s) described in this document at any time without notice. This document is for informational purposes only and is not intended to modify or supplement any OFS warranties or specifications relating to any of its products or services.